

EJIW EAST JORDAN
IRON WORKS EST. 1883

800-626-4653

www.ejiw.com

MADE IN USA

PRODUCT NUMBER

00104022C06

CATALOG NUMBER

1046Z

**COVER AND 1046Z
FRAME SET**

LOAD RATING

HEAVY DUTY

COATING

DIPPED

ESTIMATED WEIGHT

ASSEMBLED: 275 LBS

MATERIAL SPECIFICATION

FRAME & COVER -
GRAY IRON
ASTM A48 CL35B

OPEN AREA

N/A

✓ MACHINED SURFACE

DRAWN

JMB

DATE

05/09/06

LAST REVISED

JMB

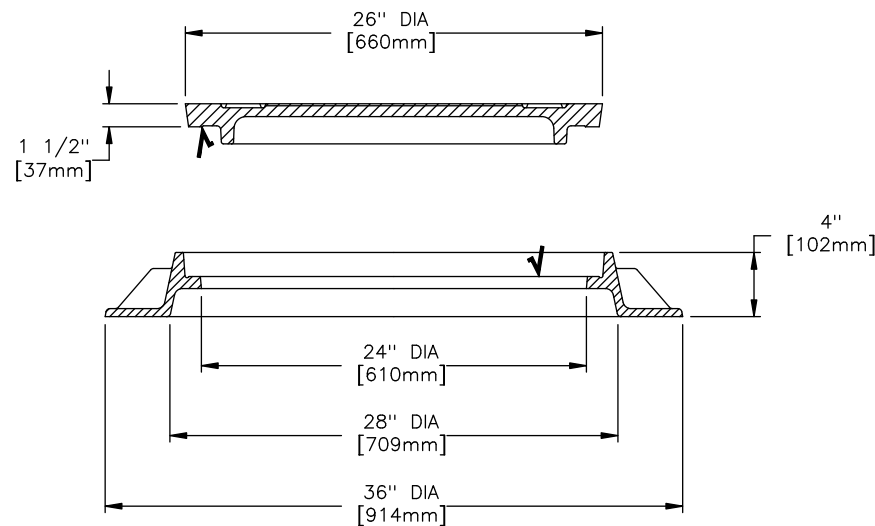
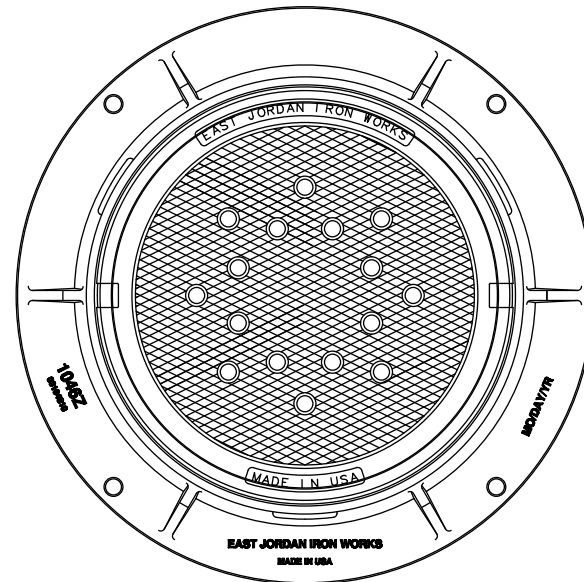
DATE

06/09/06

REFERENCE INFORMATION

00104022

00104610



CONFIDENTIAL: This drawing is the property of East Jordan Iron Works, Inc. and embodies confidential information, trade secret information, and/or know how that is the property of East Jordan Iron Works, Inc. © Copyright 2006 East Jordan Iron Works, Inc.